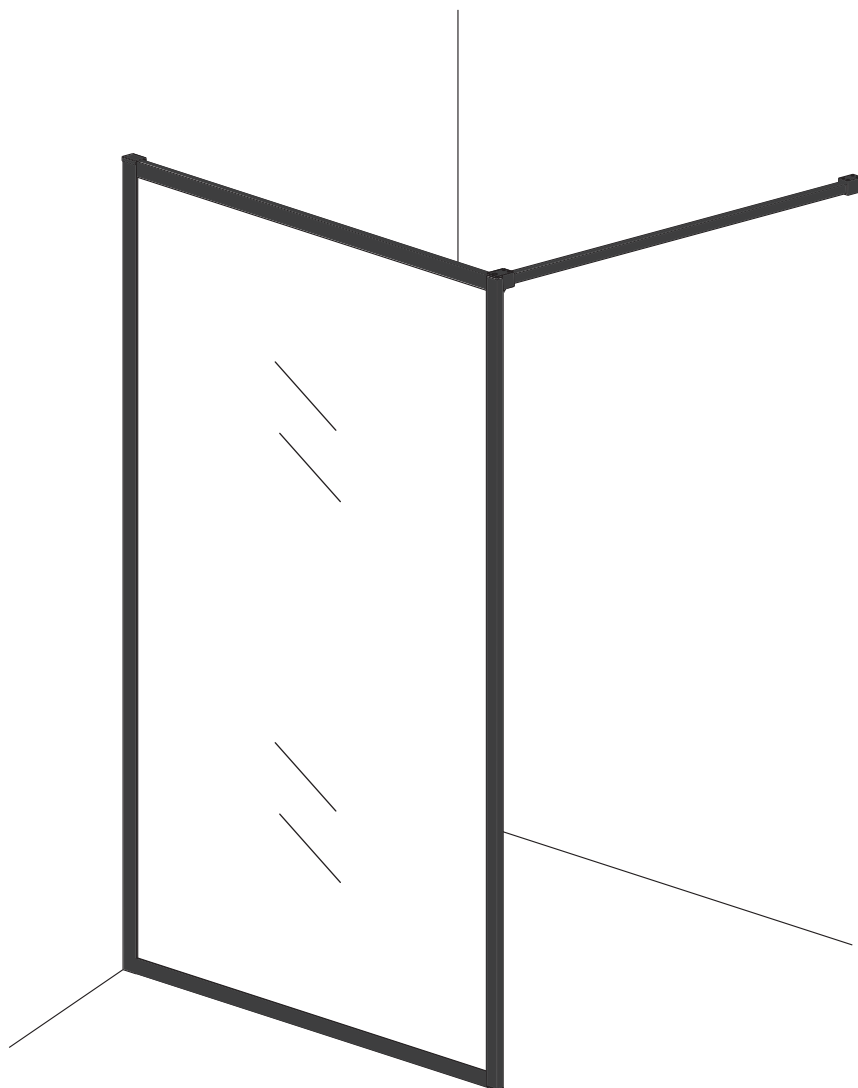
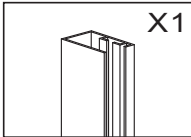
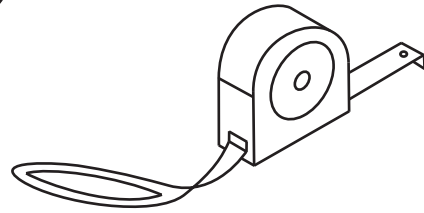
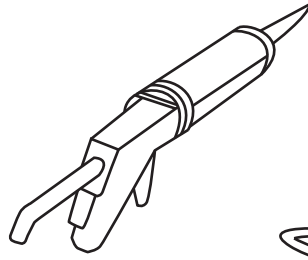
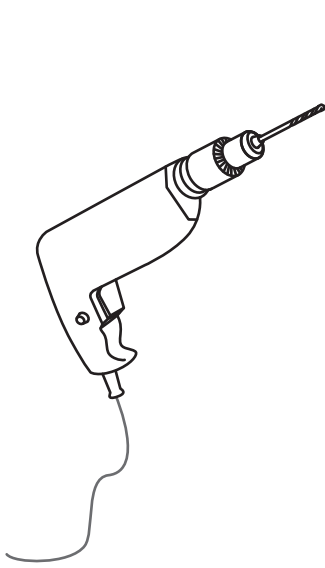
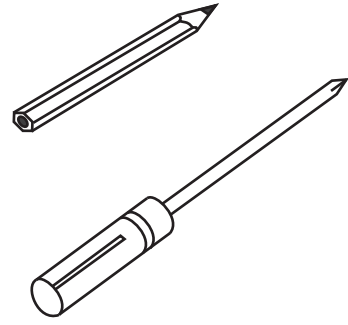
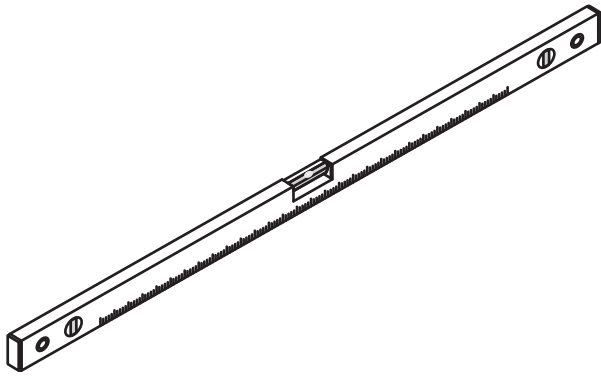


# INSTALLATION MANUAL



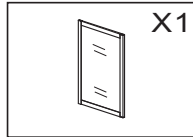
RECO80/RECO90/RECO100  
RECO120/RECO140

**CE** ISO9001:2015



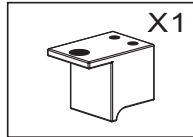
X1

KQ-61



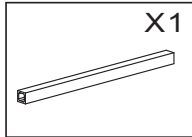
X1

Glass



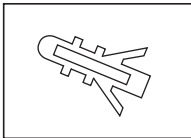
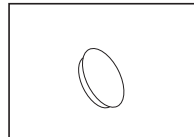
X1

PJ-4239

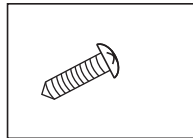


X1

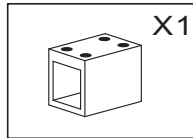
LG-04



Expand tube

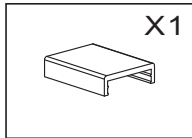


Screw



X1

PJ-4206

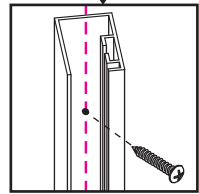
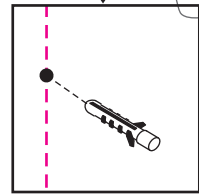
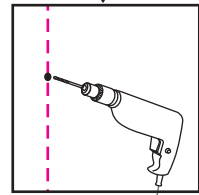
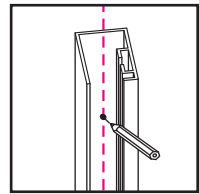
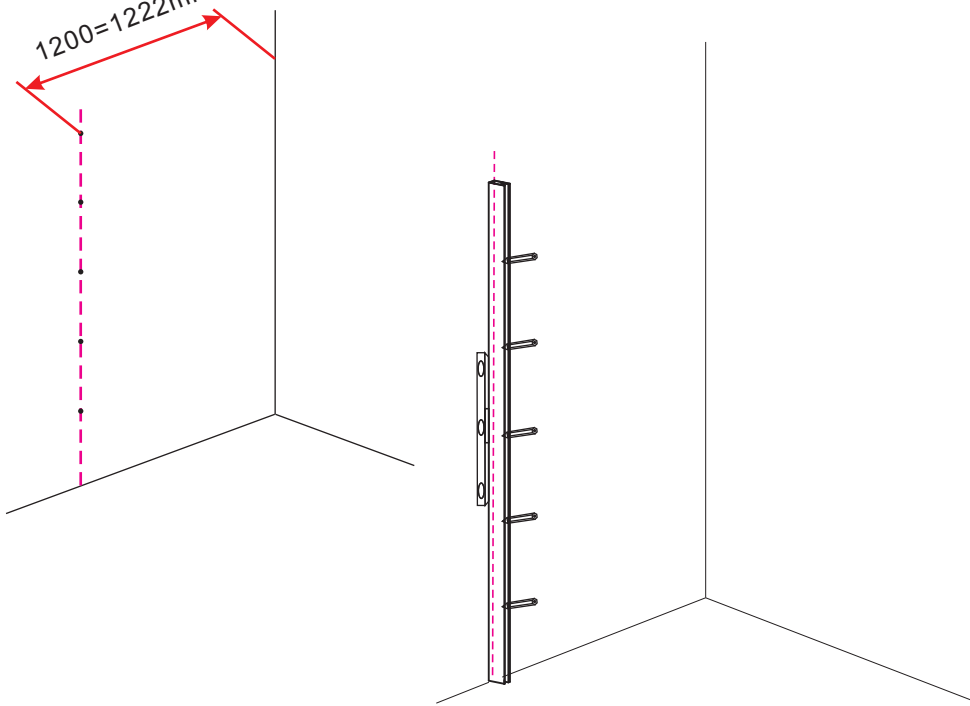


X1

PJ-4902

Install the wall profile.

1200=1222mm



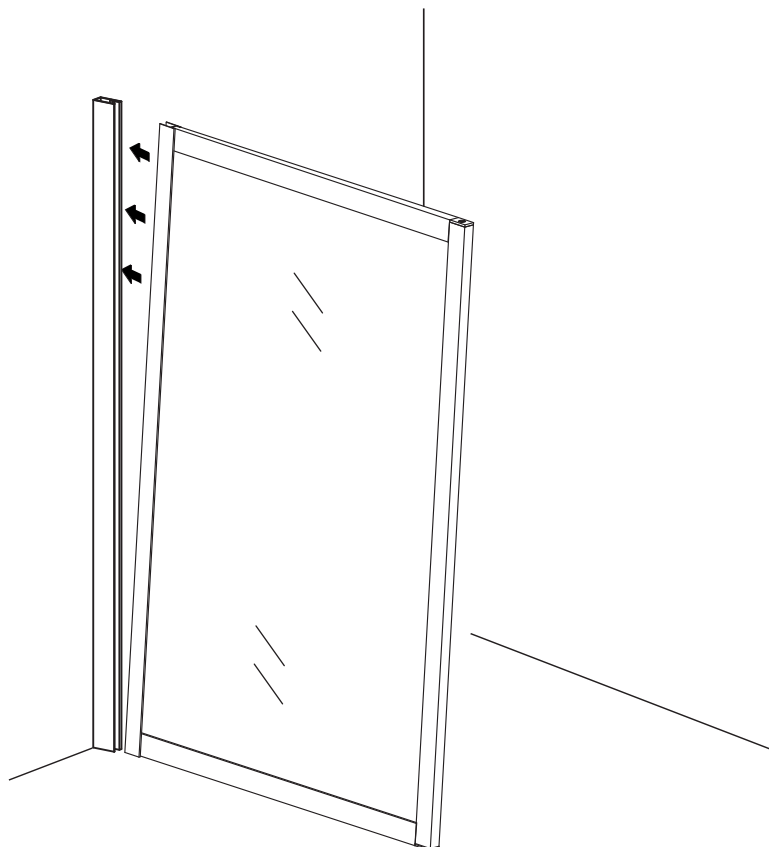
X5  
4x30

X5  
Φ6x30

Φ6mm

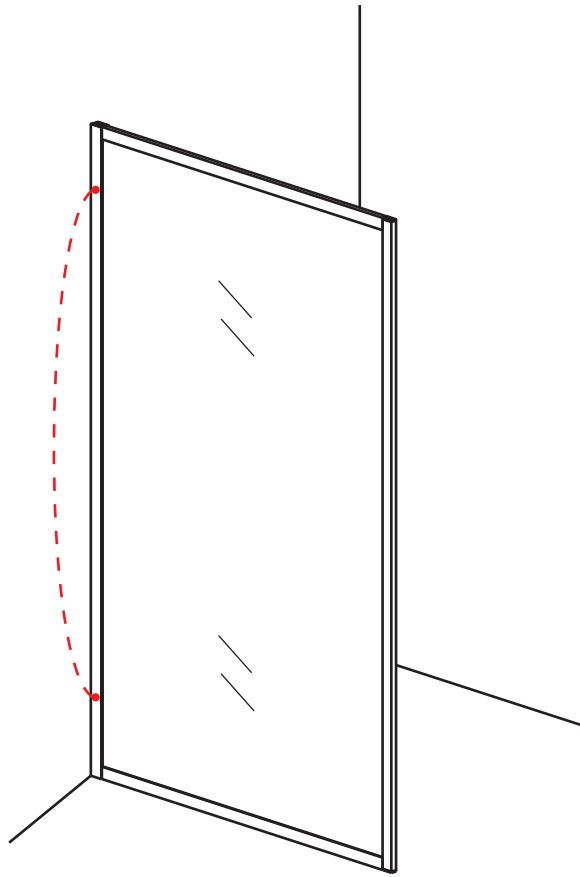
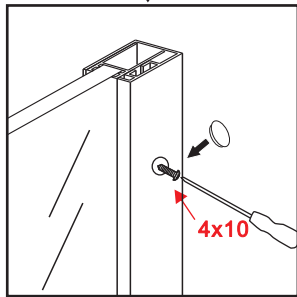
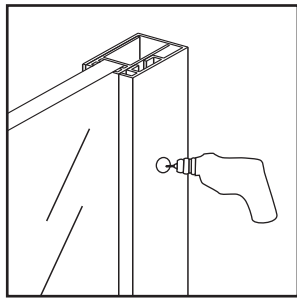
1

Install the fixed glass: insert the fixed glass into wall profile.



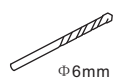
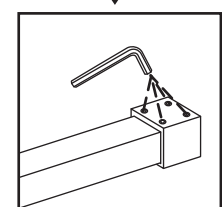
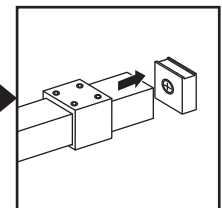
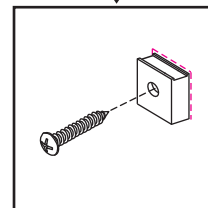
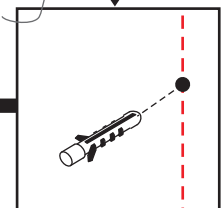
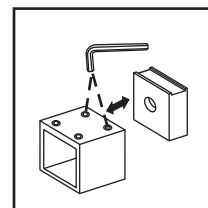
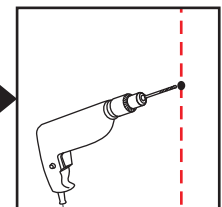
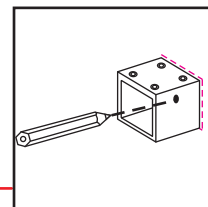
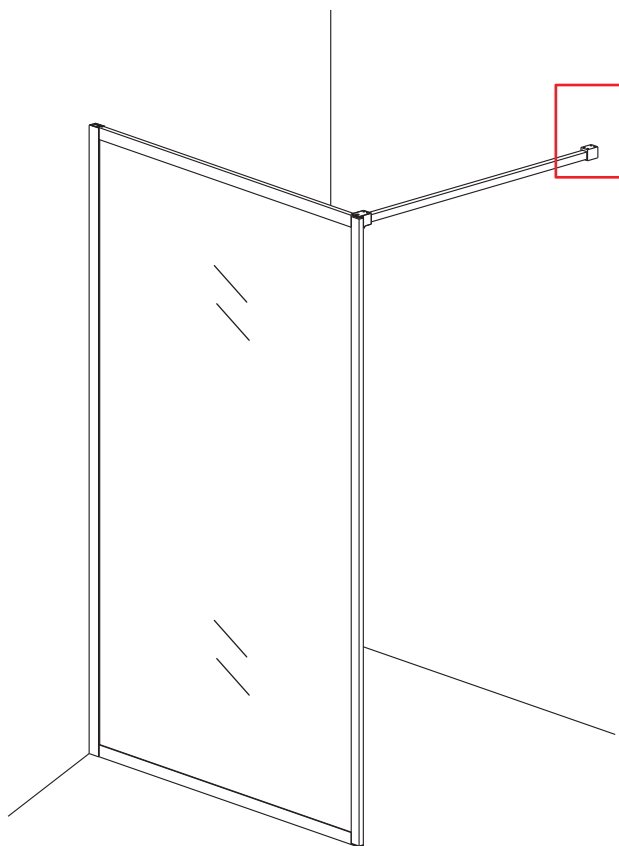
2

Install the fixed glass.



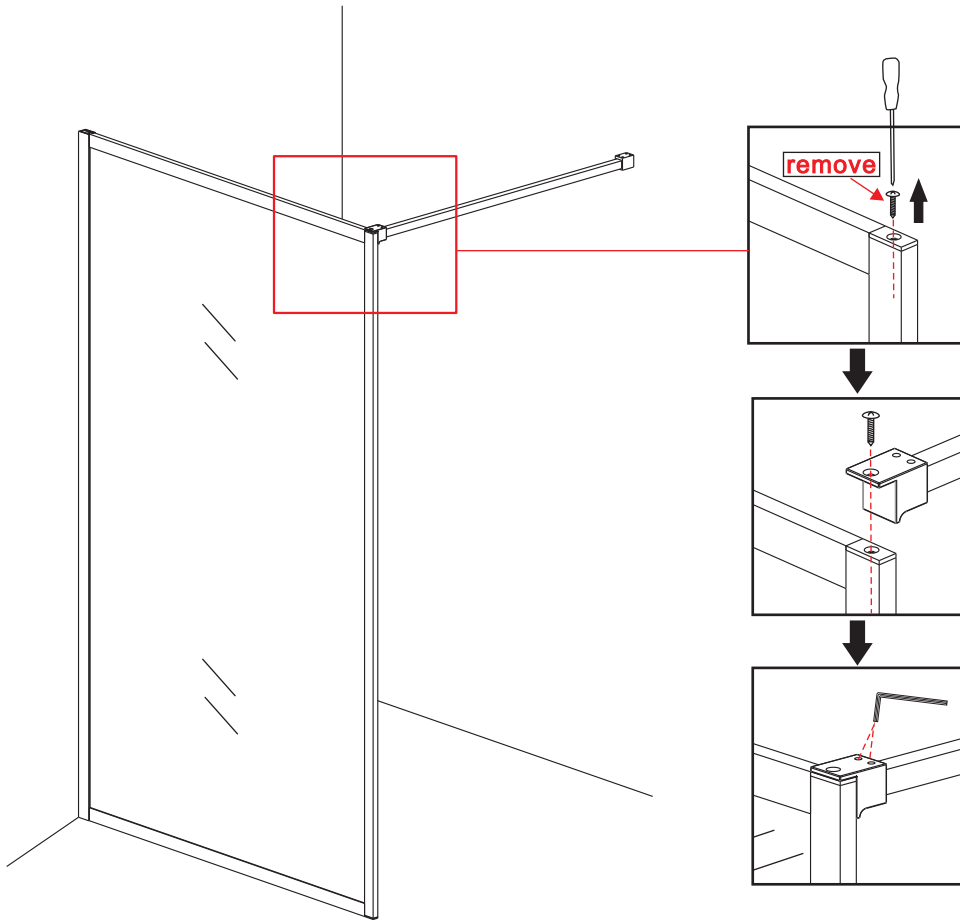
3

Install the support bar on the wall.



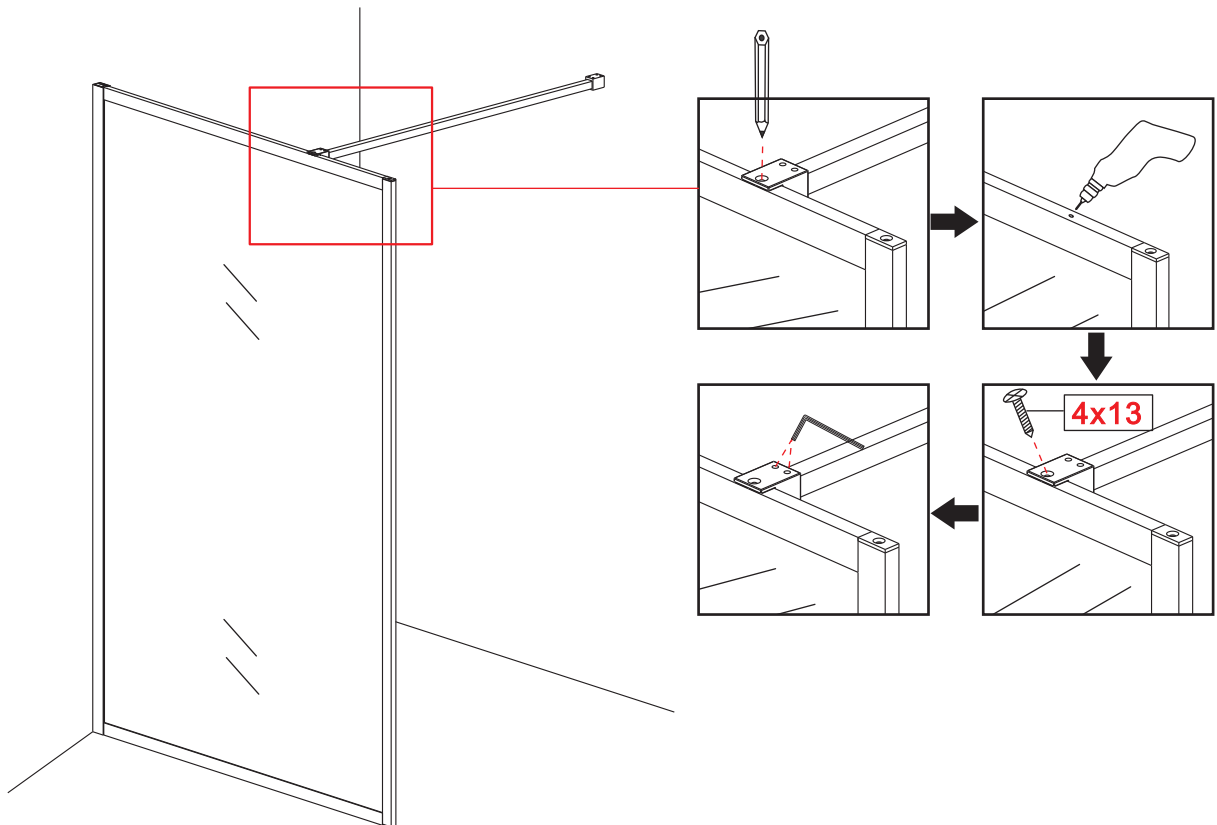
4

Install the support bar part on glass.



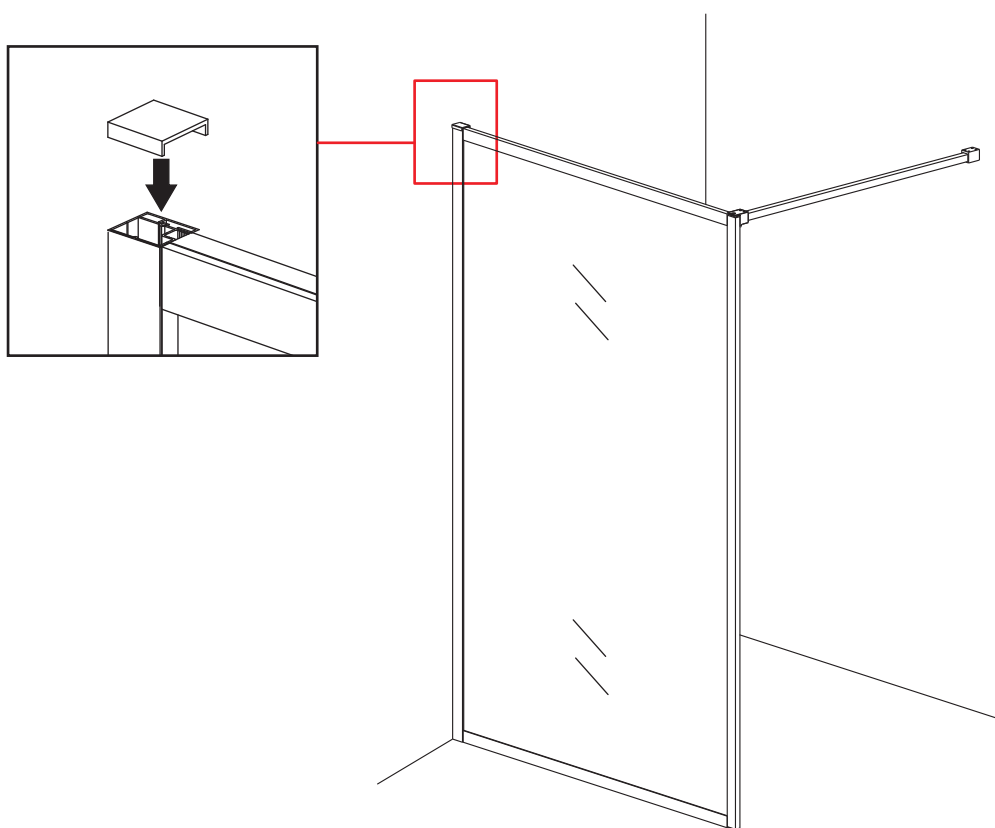
5

Install the support bar part on glass.



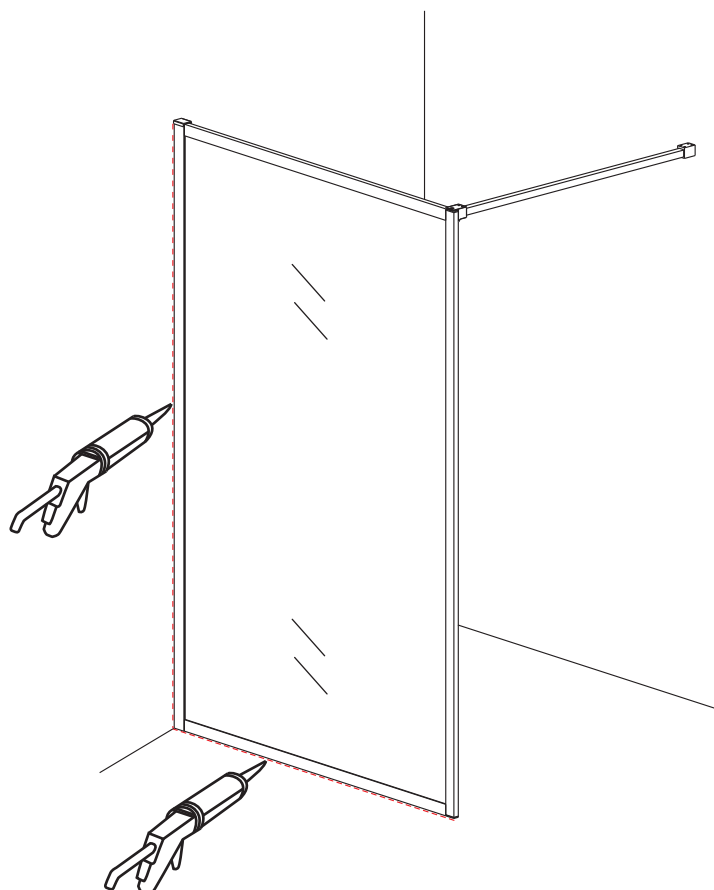
6

Install the top decorate part.



7

Take the glass gel then make sure without shower in 24hours.



8