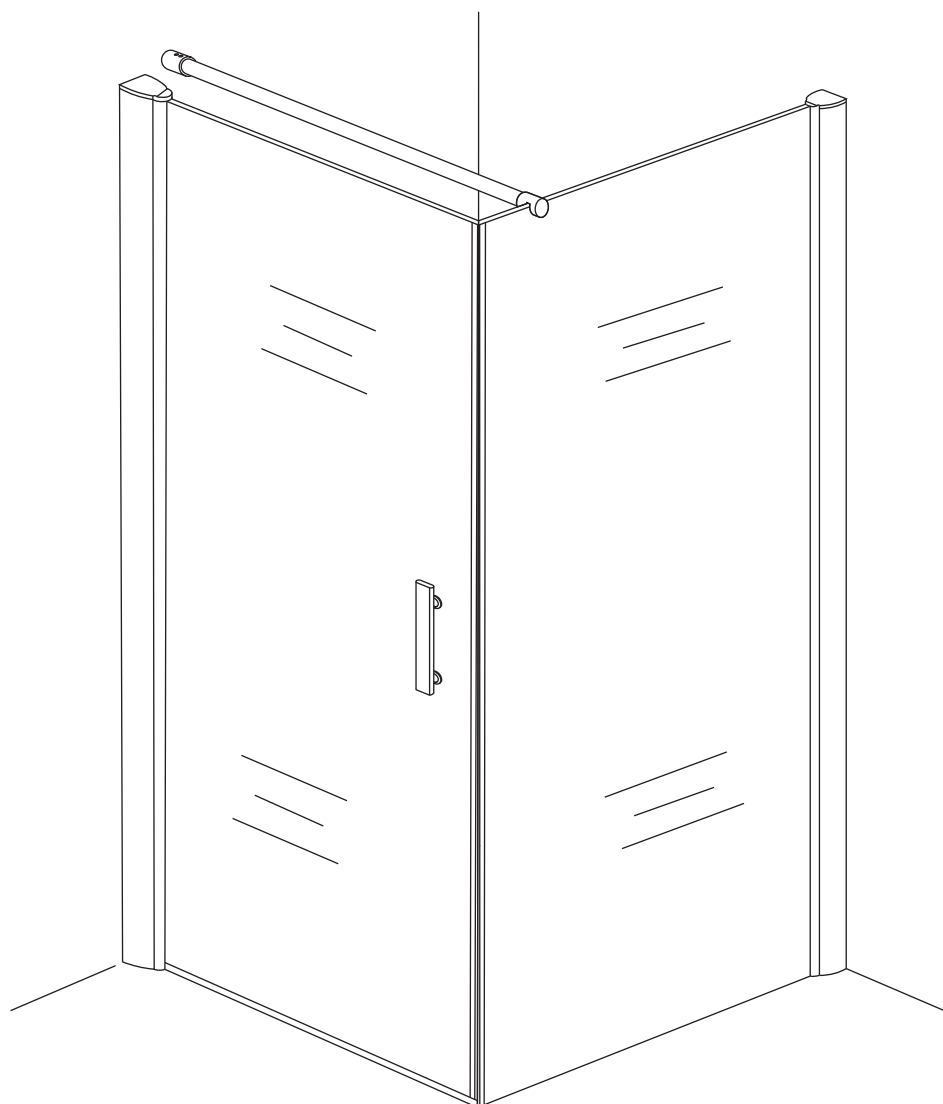


# INSTALLATION MANUAL

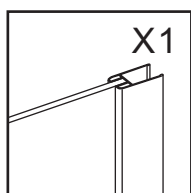
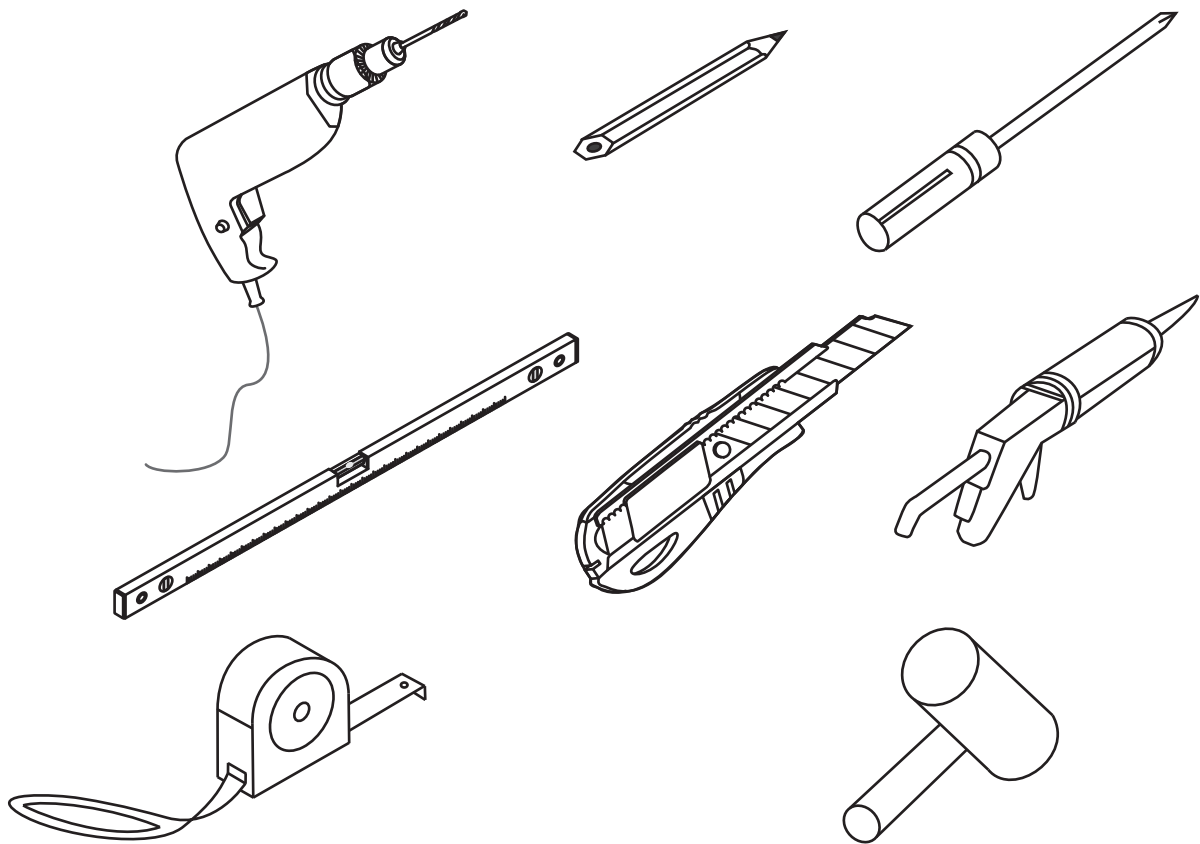


CR01-8080

CR01-9090

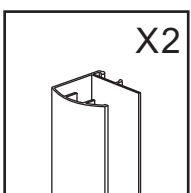
CR01-100100

*RoHS*  ISO9001:2008



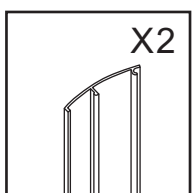
X1

GLASS



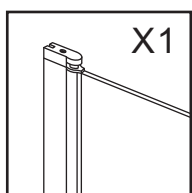
X2

KQ-22



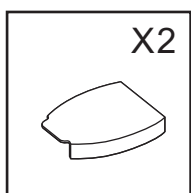
X2

BB-09



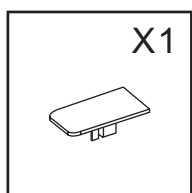
X1

GLASS



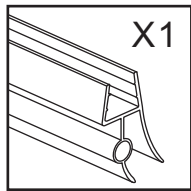
X2

PJ-4679



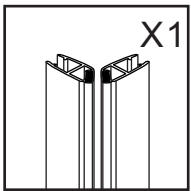
X1

PJ-4677



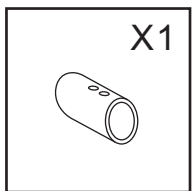
X1

6B-6-18



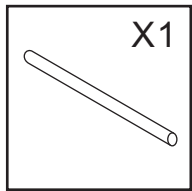
X1

6FX-2A



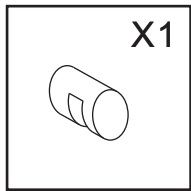
X1

PJ-4142



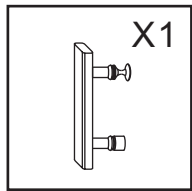
X1

φ20.5



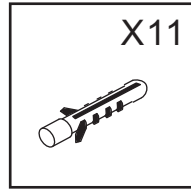
X1

PJ-4141



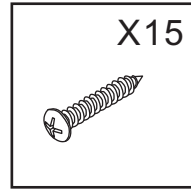
X1

145 handle

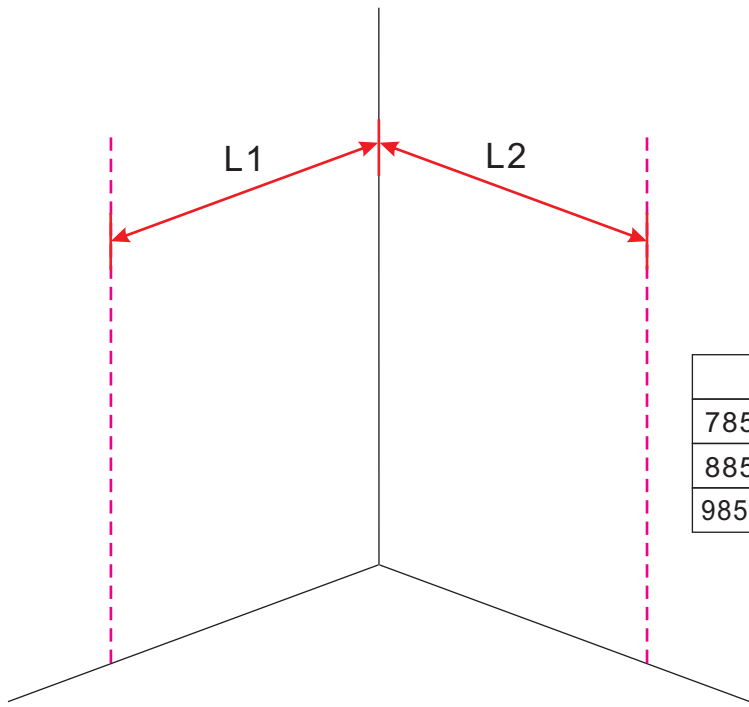


X11

PJ-4606



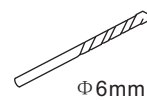
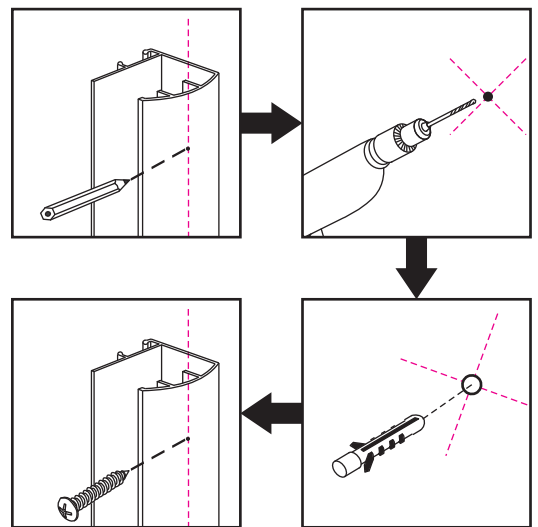
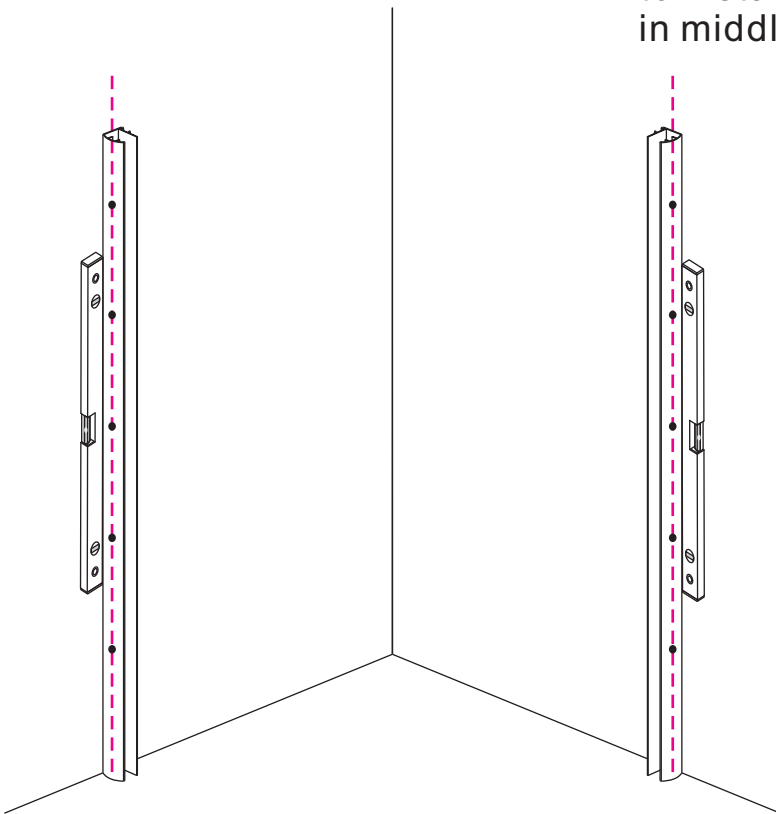
X15



SIZE	L1	L2
785-800x785-800x1900	785	785
885-900x885-900x1900	885	885
985-1000x985-1000x1900	985	985

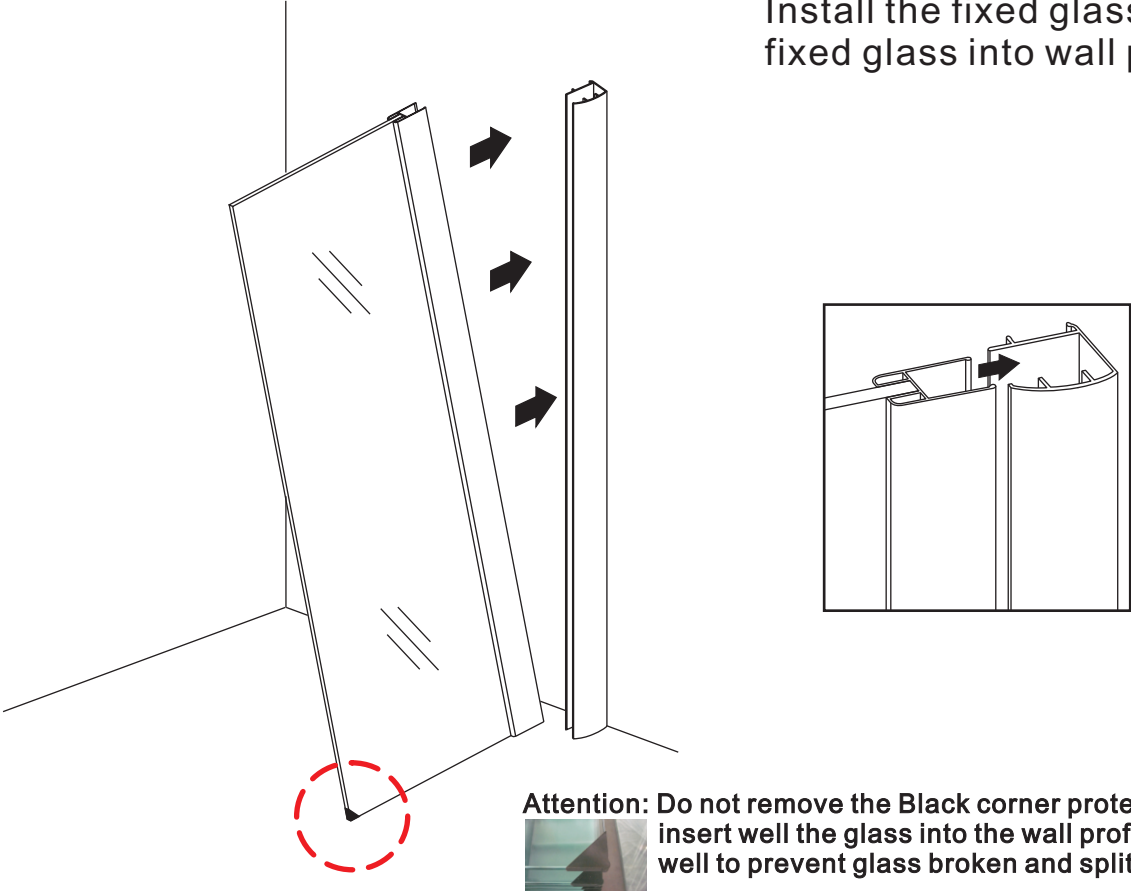
1

Install the wall profile: according the line to install the profile notice: put the profile in middle of line.



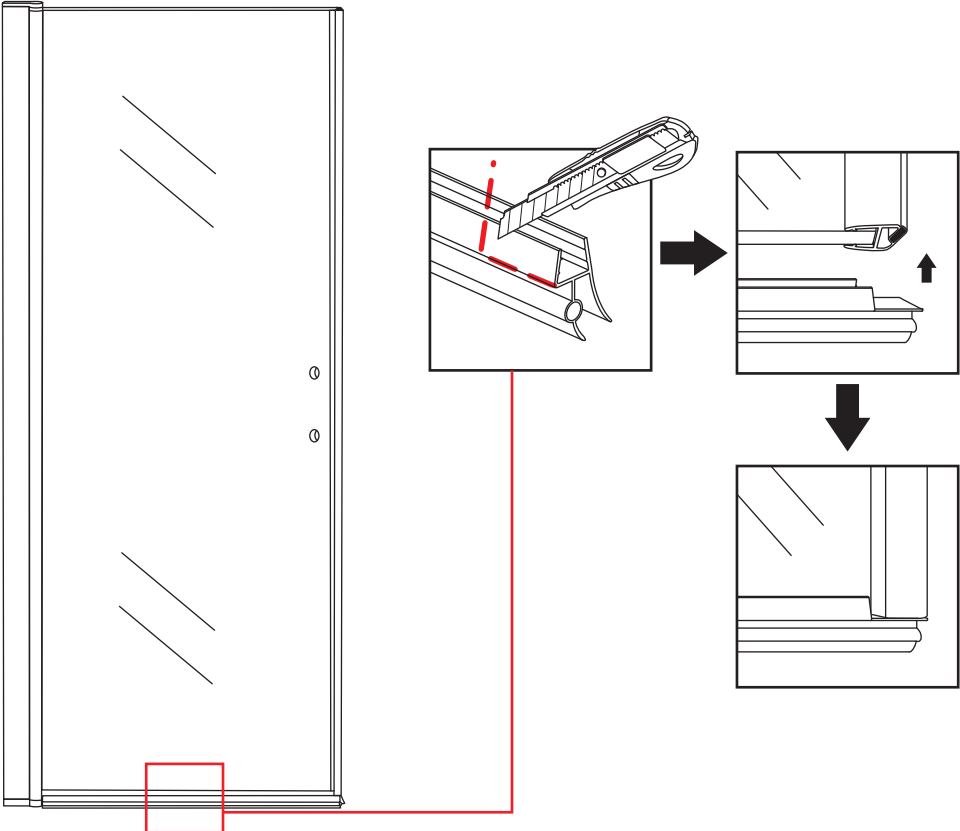
2

Install the fixed glass: insert the fixed glass into wall profile.



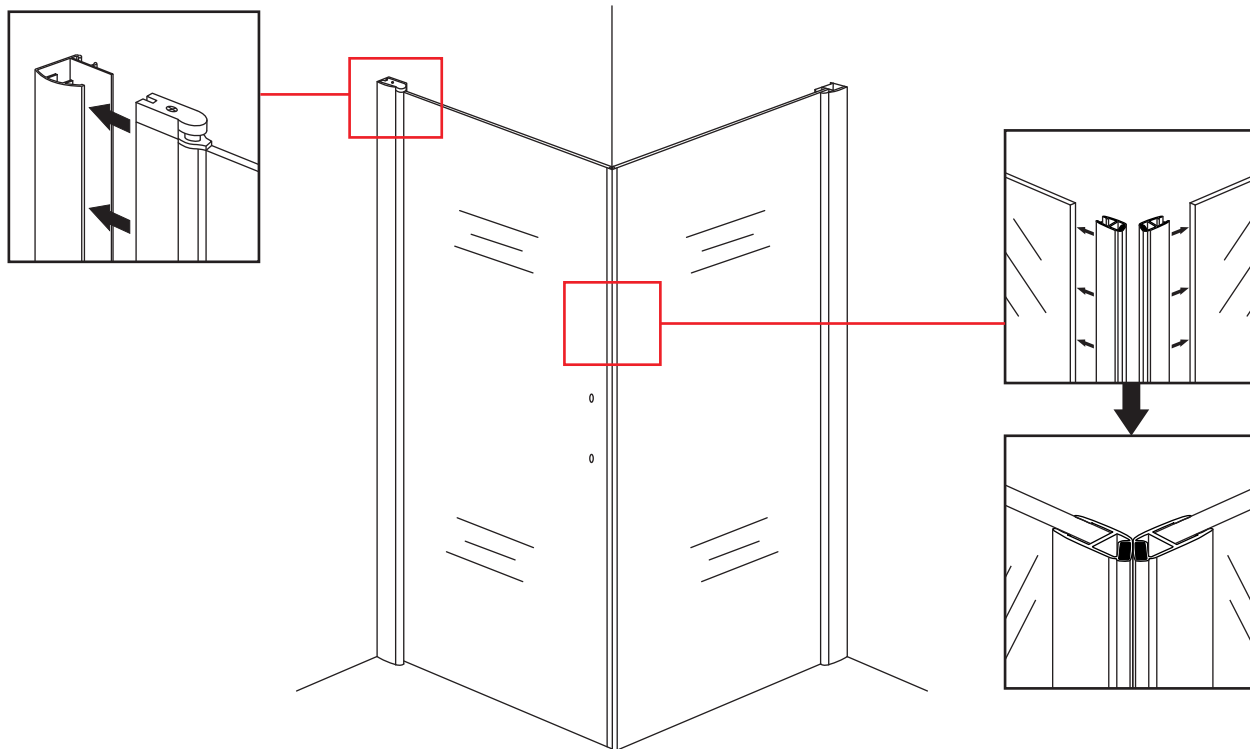
3

Install the water-proof gasket.



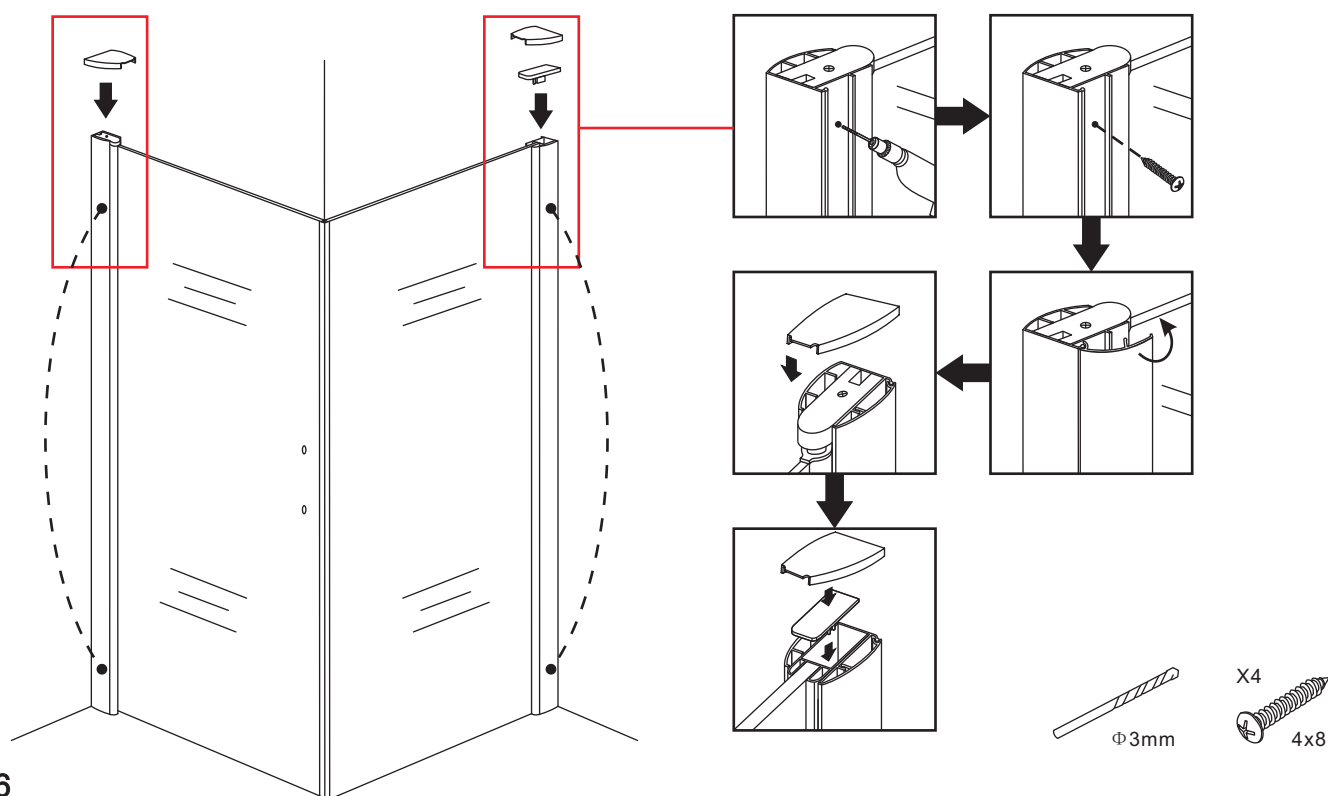
4

Install the door glass: insert the door glass into wall profile then install the magnetic stripe.



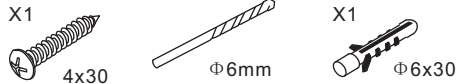
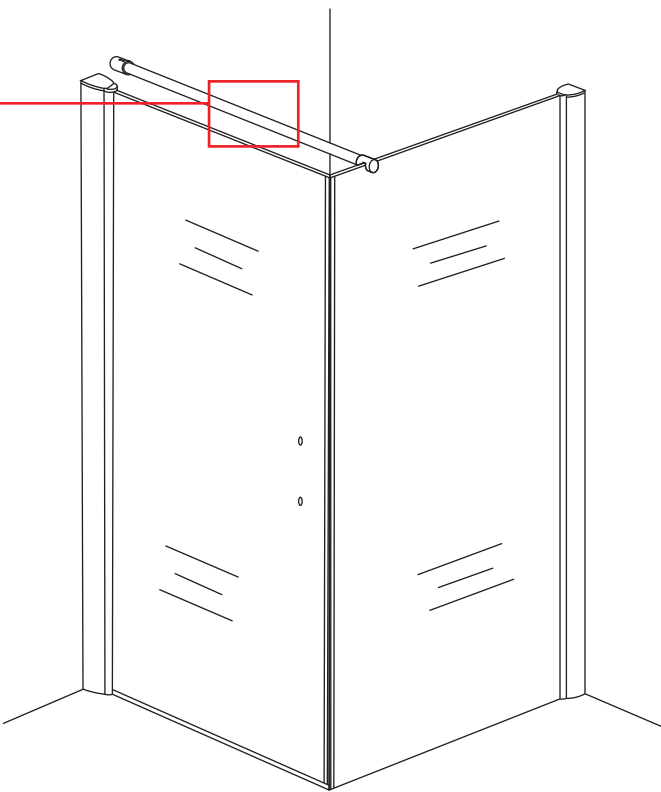
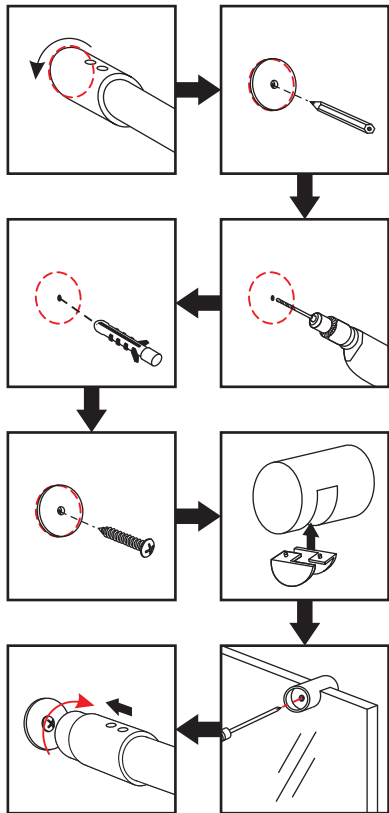
5

Install the decorate profile: install the connect buckle, insert the decorate profile into buckle as picture shows, then install the top decorate cap.



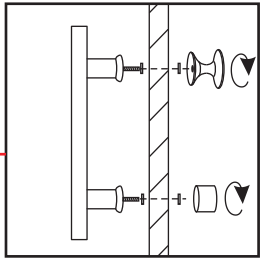
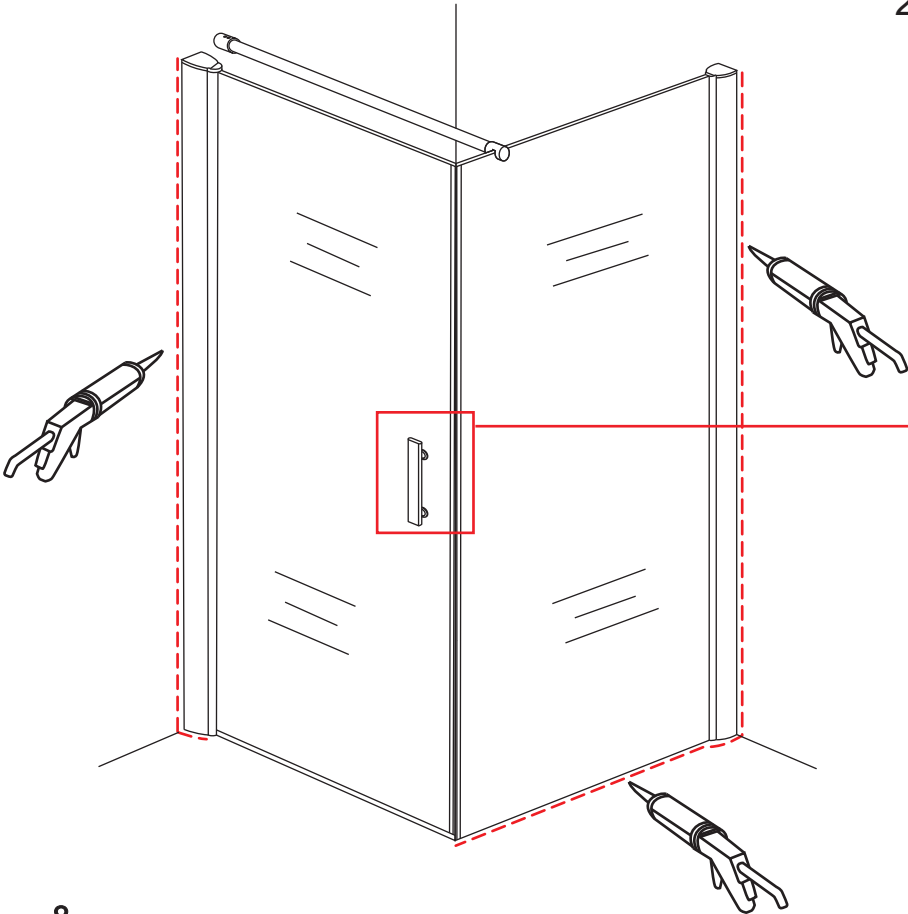
6

Install the support bar : keep the bar and top of glass on level, draw line then install it.



7

1. Install the handle.  
2. Take glue: please keep dry until 24 hour.



8